

# KFC-W308

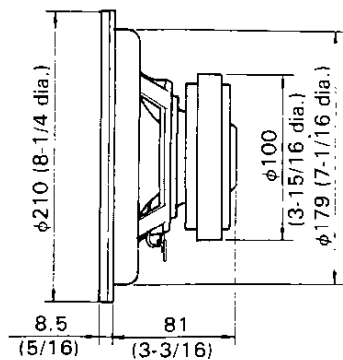
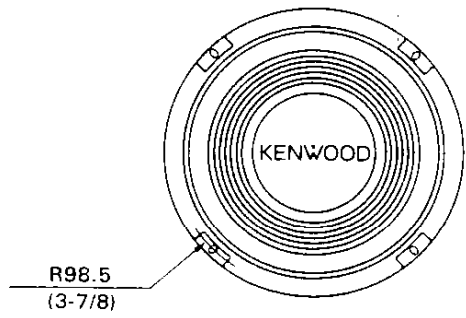
## SERVICE MANUAL

# KENWOOD

©1991.5 PRINTED IN JAPAN  
B51-6323-00T 375

COPY

### EXTERNAL VIEW

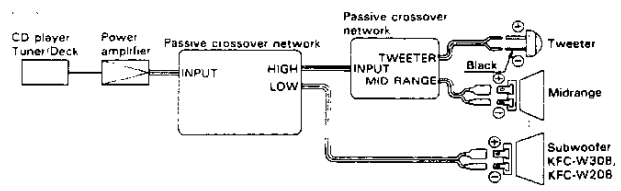


Unit: mm(inch)

### SYSTEM CONNECTIONS

With this unit, the speaker wires are not supplied. Obtain the audio speaker wires with the required length. To connect the speaker wires to the unit, terminate the cords with female spade connectors.

**Example**



### PARTS LIST

★ New parts  
Parts without **Parts No.** are not supplied.  
Les articles non mentionnés dans le **Parts No.** ne sont pas fournis.  
Teile ohne **Parts No.** werden nicht geliefert.

Ref No.	New Parts	Parts No.	Description
	★	B46-0100-20	WARRANTY CARD
		B61-0460-00	INSTRUCTION MANUAL
		N99-1134-04	SCREW SET
	★	T10-0528-03	SPEAKER

### SPECIFICATIONS

**Note:**  
KENWOOD follows a policy of continuous advancements in development. For this reason specifications may be changed without notice.

■ KFC-W308	
Subwoofer	200 mm (8") Cone Type
Nominal Impedance	4 ohms
Peak Input Power	300 watts
Rated Input Power	100 watts
Sensitivity	91 dB/watt at 1 m
Free Air Resonance	45 Hz
Frequency Response	45 to 2,000 Hz
<b>Recommended Crossover</b>	
Frequency	80 to 100 Hz
<b>Dimensions</b>	
	Diameter: 210 mm (8-1/4")
	Height: 8.5 mm (5/16")
	Depth: 81 mm (3-3/16")
Net Weight	1.8 kg (4 lbs)/piece
<b>Supplied Parts</b>	
	Screws
	ø 4 - 30 mm (3/16" dia. - 1-1/8") x 8
	Clip nuts ø 4 (3/16" dia.) x 8